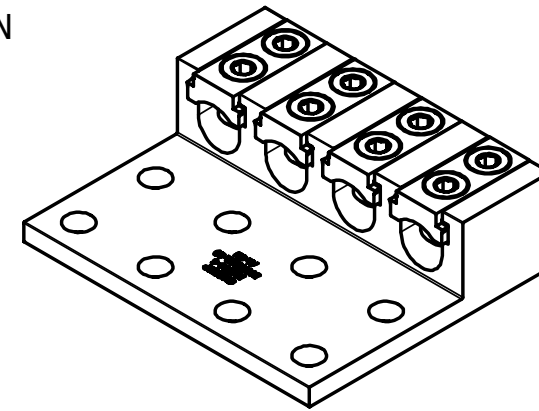
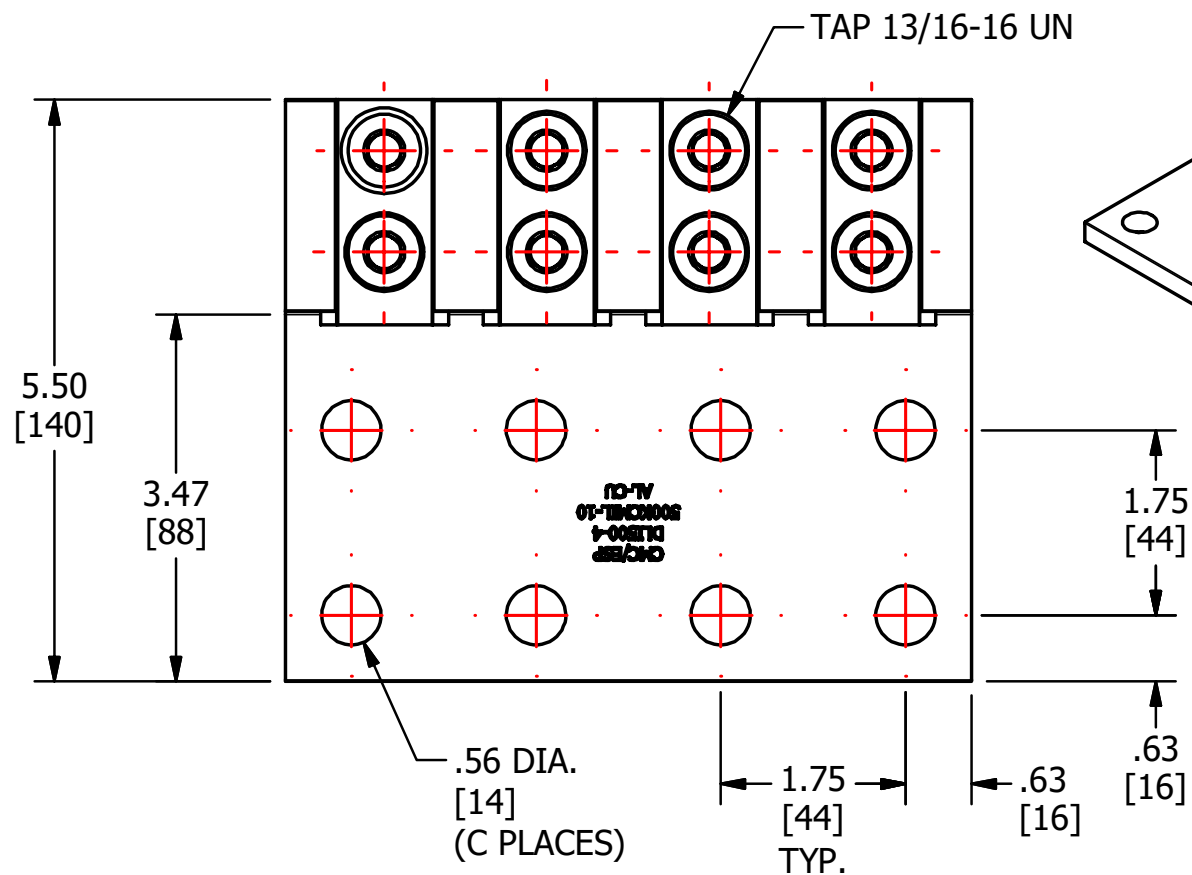
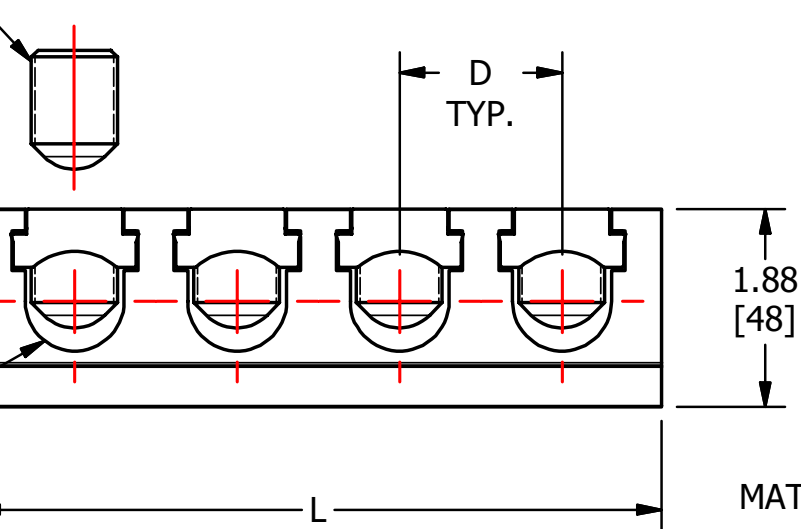


S.NO	CATALOG NUMBER	L	B	C	D
1	DLI500-4	6.50 [165]	4	8	1.54 [39]
2	DLI500-4I	6.50 [165]	4	8	1.54 [39]
3	DLI500-6	8.50 [216]	6	10	1.39 [35]
4	DLI500-6I	8.50 [216]	6	10	1.39 [35]



SCREWS ARE SUPPLIED WITH CONNECTOR AND COMES FULLY ASSEMBLED.



WIRE PORTS ("B" PLACES.)

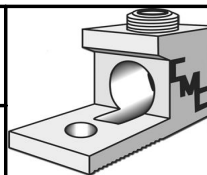
MATERIAL: ALUMINUM
CONDUCTOR RANGE - 500KCMIL-10
(AL-CU)

					TO ORDER CMC PRODUCTS CALL 1-513-860-4455	DRAWN BY: TS 08-09-19	NAME OF PART: LAY-IN LUG ASSEMBLY	CAT. NO.: SEE TABLE
					FOR PRODUCT INFO: http://www.cmclugs.com	CHECKED BY:	DWG NO: C58701599-S (CHARTED)	A
A	NEW DRAWING CREATED		08-09-19	TS		DRAWING NOT TO SCALE		SHEET NO: 1 OF 1
REV.	DESCRIPTION	ECN	DATE	INIT.				

THIS INFORMATION IS PROPRIETARY TO CONNECTOR MFG. CO. AND IS NOT TO BE DISCLOSED OUTSIDE OF CONNECTOR MFG. CO. WITHOUT A CONFIDENTIALITY AGREEMENT



CONNECTOR MANUFACTURING CO.



HAMILTON, OHIO